

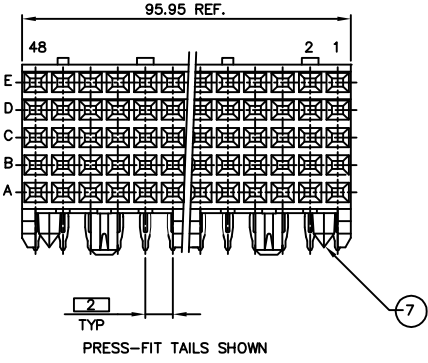
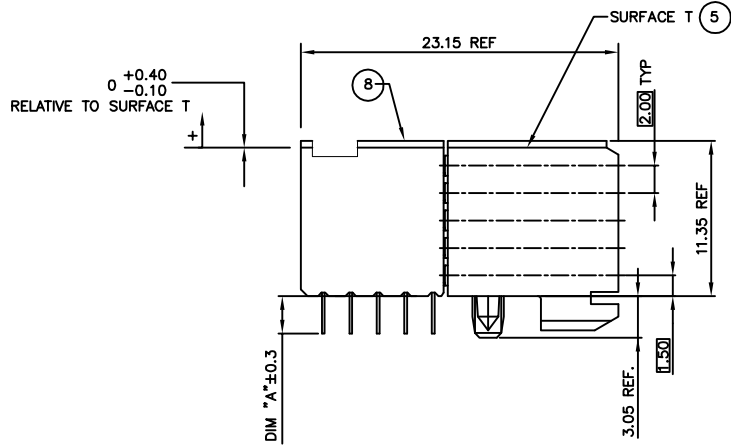
Tous droits strictement réservés. Reproduction ou communication a des tiers interdite sous quelque forme que ce soit sans autorisation écrite du propriétaire. Propriete de c FCI. Droits de reproduction FCI.

All rights strictly reserved. Reproduction or issue to third parties in any form whatever is not permitted without written authority from the proprietor. Property of FCI. Copyright FCI.

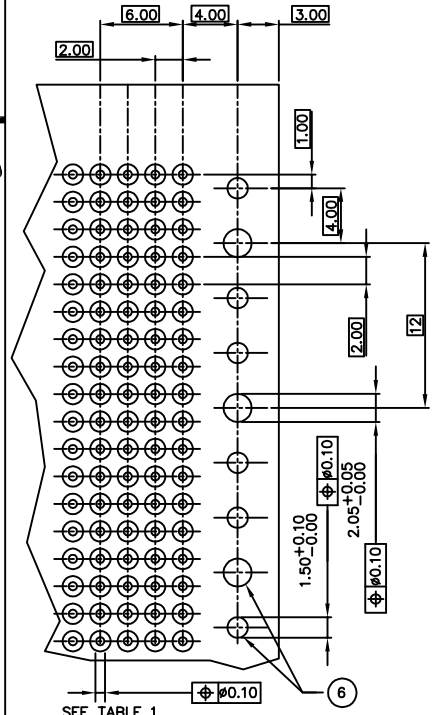


PRODUCT NUMBER	PEG TYPE	TAIL TYPE	TAIL LGTH. DIM "A"	PCB THICKNESS	LOADING CONFIGURATION
89095-X02	PRESS	PRESS-FIT	2.90	1.6	FULLY LOADED
89095-X12	PRESS	PRESS-FIT	3.53	2.4	FULLY LOADED
89095-X02LF	PRESS	PRESS-FIT	2.90	1.6	FULLY LOADED
89095-X12LF	PRESS	PRESS-FIT	3.53	2.4	FULLY LOADED

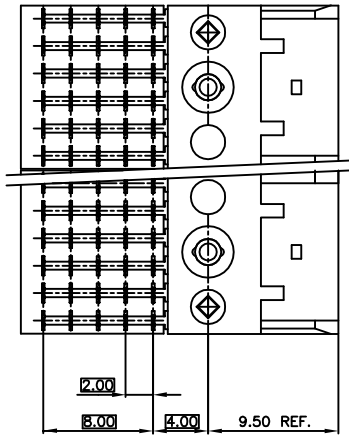
PLATING CONTACT AREA:	
DASH NR:	PERFORMANCE LEVEL
-1YY	TELCORDIA CO
-2YY	CUSTOMER SPECIAL
-3YY	CUSTOMER SPECIAL
-9YY	TELCORDIA CO
-1YYLF	TELCORDIA CO
-2YYLF	CUSTOMER SPECIAL
-3YYLF	CUSTOMER SPECIAL
-9YYLF	TELCORDIA CO



- NOTES:
- CONNECTOR MATERIALS:  
HOUSING: LCP 30% GLASS FILLED,  
UL 94-V0 COMPLIANT  
TERMINAL: PHOSPHOR BRONZE ALLOY
  - TAIL PLATING:  
PRESS-FIT TYPE: 0.5-1.5 um TIN LEAD
  - PRODUCT SPECIFICATION:  
GS-12-002
  - APPLICATION SPECIFICATIONS:  
BUS-20-061  
GS-20-001  
TA-941
  - PRODUCT MARKING: (PART NUMBER & LOT CODE).
  - INDICATED HOLES ARE UNPLATED.
  - DIAMOND LOCATION PEG ARE ONLY EXISTED ON THE BOTH SIDES OF PRODUCT.
  - TOP SURFACE OF PRESS BLOCK MAY EXTEND UP TO 0.4MM HIGHER THAN HOUSING. THIS MAY AFFECT THE TAIL LENGTH BEFORE APPLICATION TO A BOARD.
  - THE PRODUCTS WHERE THE PART NUMBER ENDS IN 'LF' MEET THE EUROPEAN UNION DIRECTIVES AND OTHER COUNTRY REGULATIONS AS DESCRIBED IN GS-22-008.
  - ALL PRODUCTS WILL WITHSTAND EXPOSURE TO 240°C FOR 60 SECONDS IN A CONVECTION, INFRA-RED OR VAPOR PHASE REFLOW OVER.



HOLE DIAMETER AFTER PLATING	0.65-0.80
DRILLED HOLE	0.81-0.86 (0.85 DRILL)
COPPER PLATING	0.025 - 0.05
SnPb PLATING	0.005-0.015



mat'l. code		tolerances unless otherwise specified		CUSTOMER COPY	 www.fciconnect.com
NOTE 1				projection	
l	ec	no	dr	date	 title B SERIES R/A SIGNAL RECEPT ASSY, 5 ROW, 8 MOD, PF
N	DG06	-0510	Cenh	12/06/06	
P	DG07	-0171	Cenh	05/25/07	 product family METRAL size 89095
R	DG08	-0171	TER	8/21/08	
		linear			 code 213
		angles			
		dr	C. DAILY	06/18/02	 sheet 1 of 1
		enr	M. GRAY	06/18/02	
		chr	M. GRAY	06/18/02	 scale 1:1
		appd	M. GRAY	06/18/02	
sheet index	revision	R			 A
	sheet	1			

RECOMMENDED PC BOARD LAYOUT, COMPONENT SIDE.